



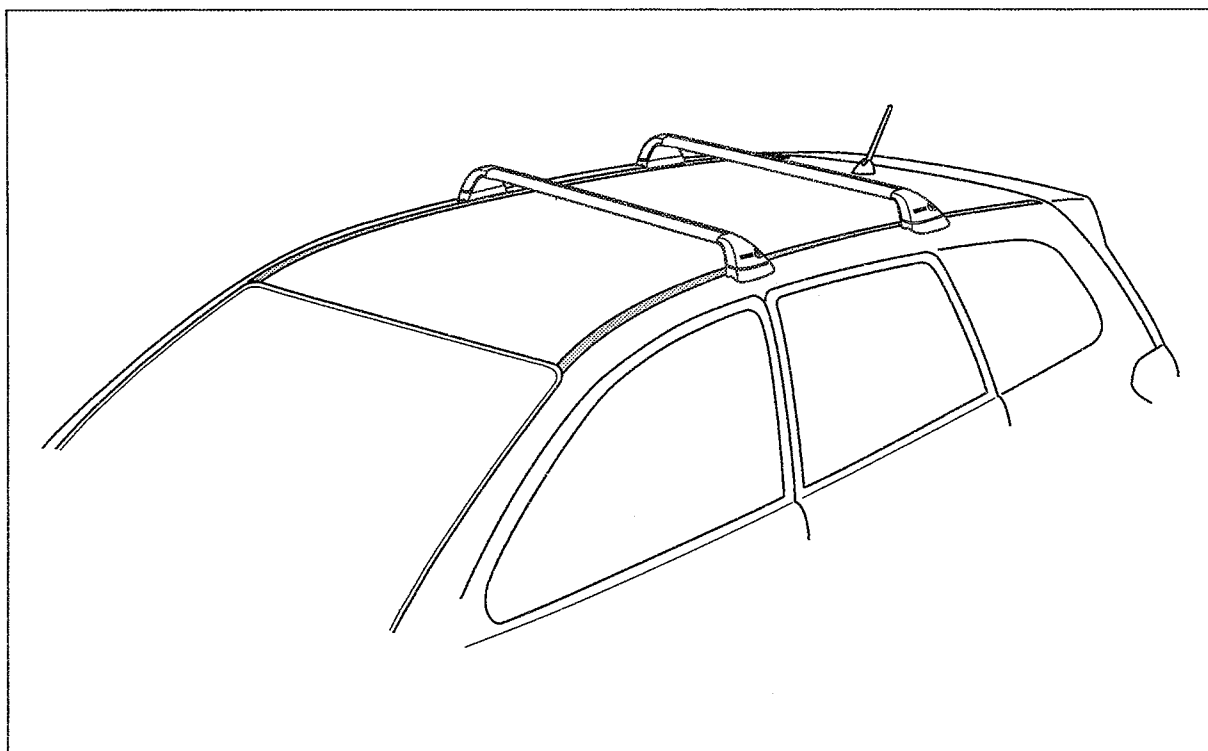
SUBARU

FORESTER CROSSBAR SET

Installation Instructions

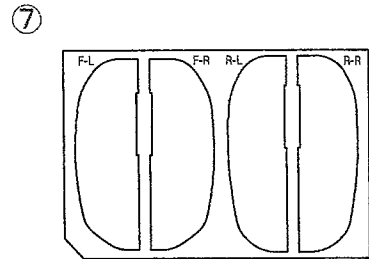
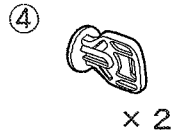
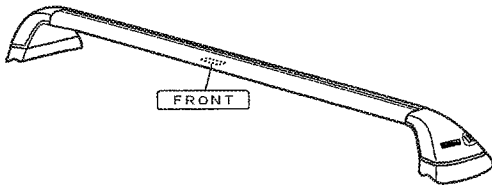
E3610SG500

- Never modify this product.
- Never install or use the product in ways that are not described in this handling/
installation manual.

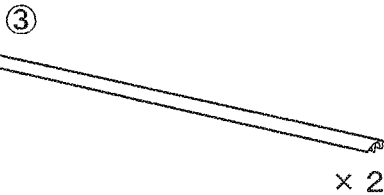
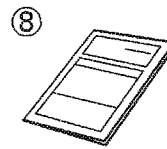
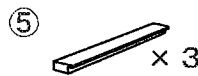
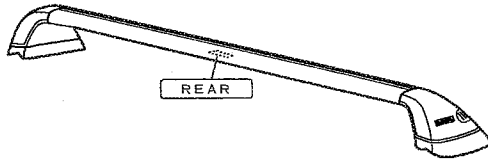


KIT CONTENTS

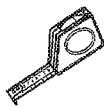
① Front Crossbar



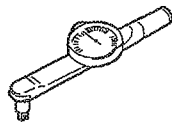
② Rear Crossbar



TOOLS REQUIRED



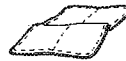
Tape Measure



Torque Wrench



Socket Driver



Cloth



Detergent



Scissors

IMPORTANT!

Read these instructions carefully before using the product for the first time.

Install the crossbars per the instructions.

Keep instructions in car.

Do not drive faster than 130 km/h (80 mph) with load.

Do not assemble or use this product unless you have understood the installation instructions.

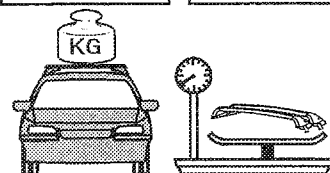
If you have any questions, please contact your local dealer for further information.

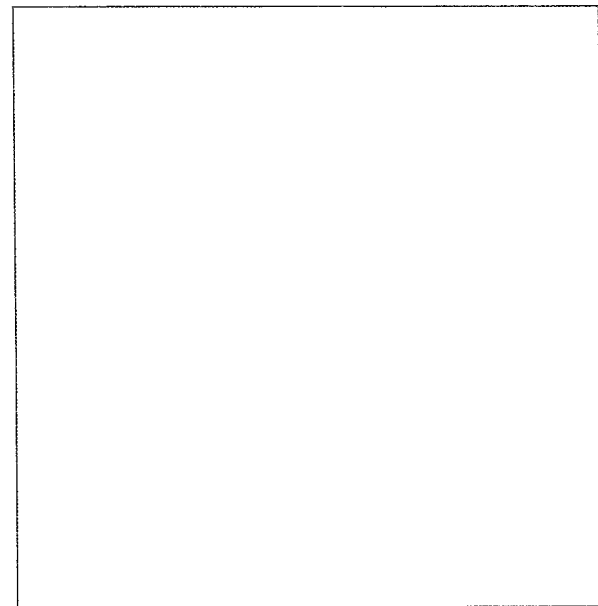
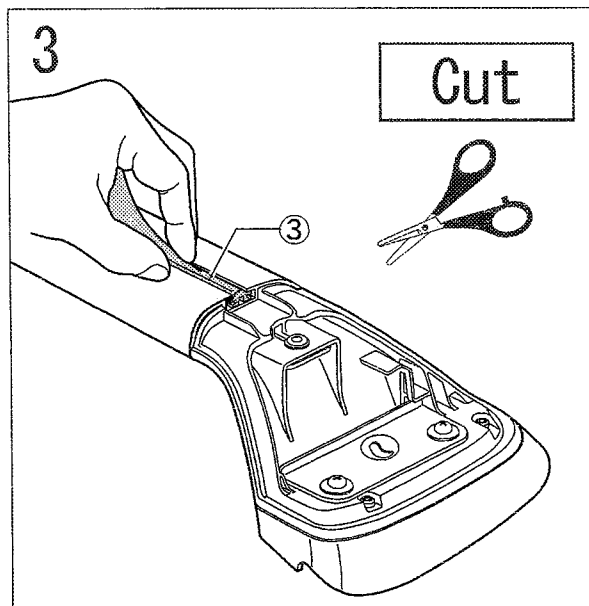
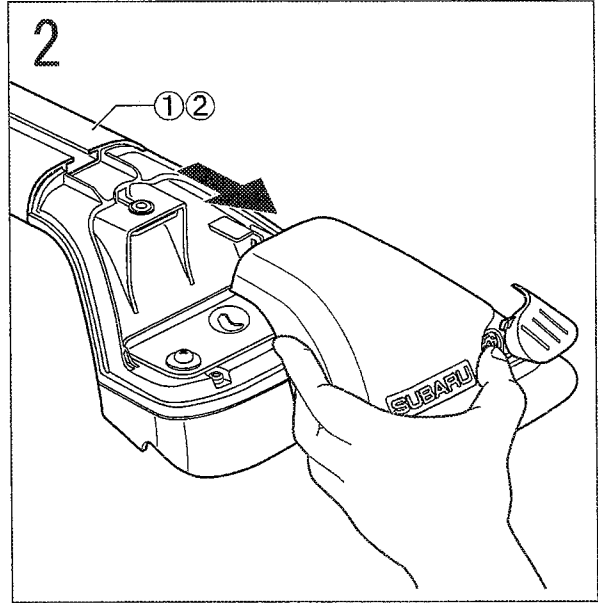
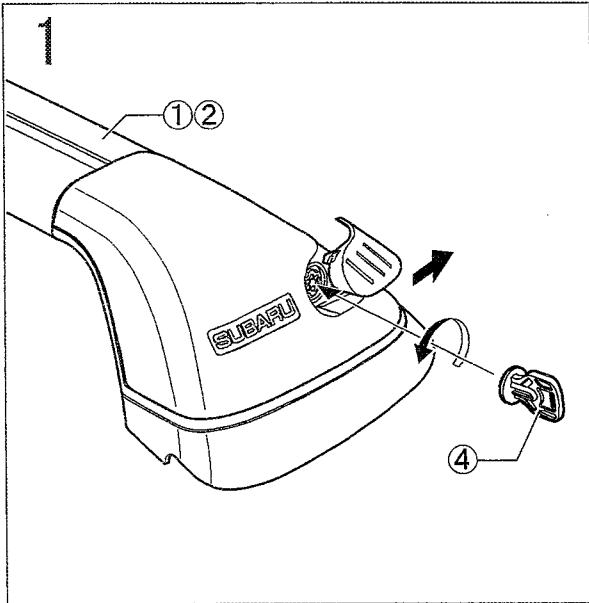
75 Kg

5 Kg

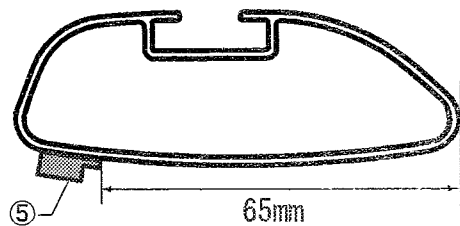
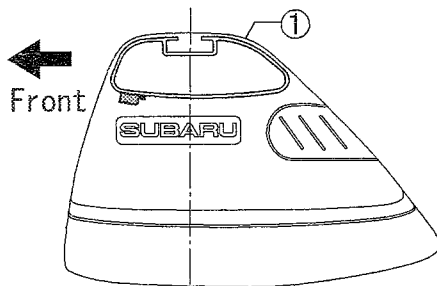
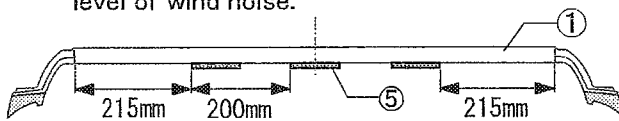
165 lbs

11 lbs



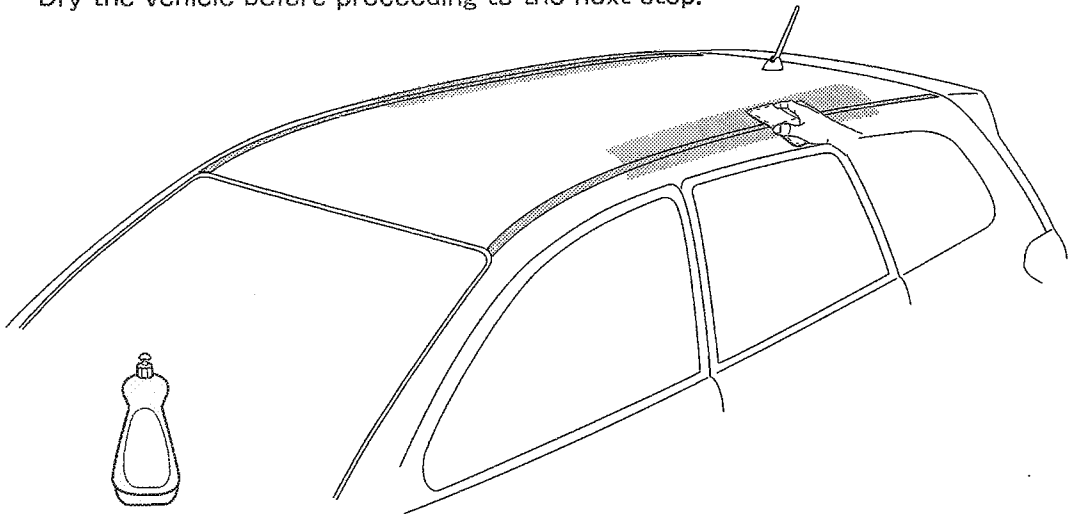


4 Install diffusers (5) to bottom of FRONT crossbar (1) as shown below. Press firmly to ensure proper adhesion.
 Note: Failure to install the diffusers (5) will result in an increased level of wind noise.

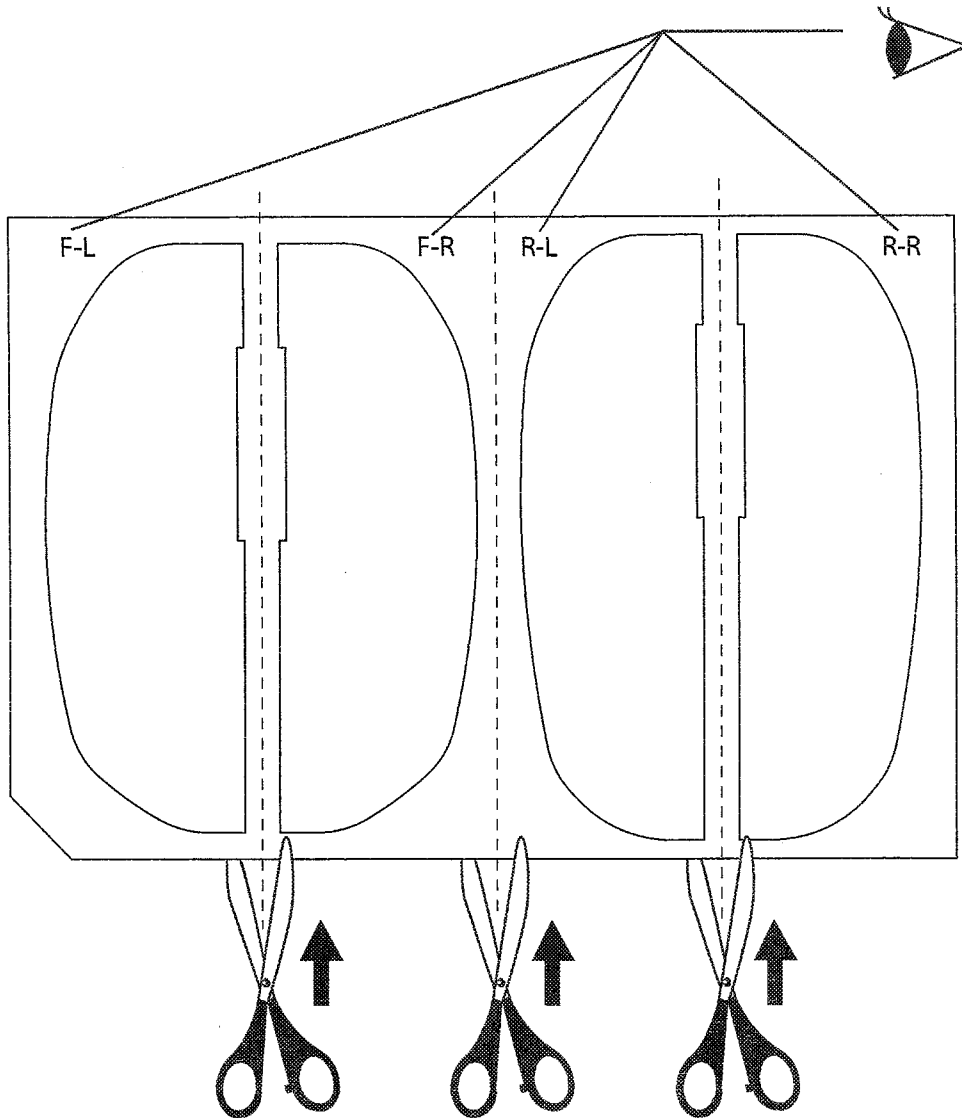


5

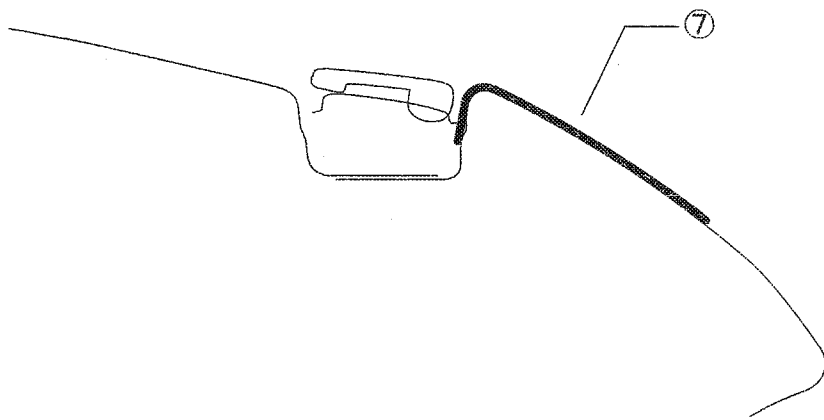
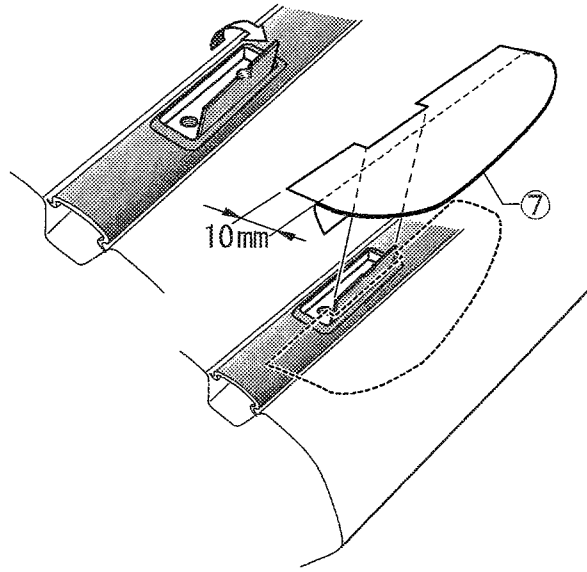
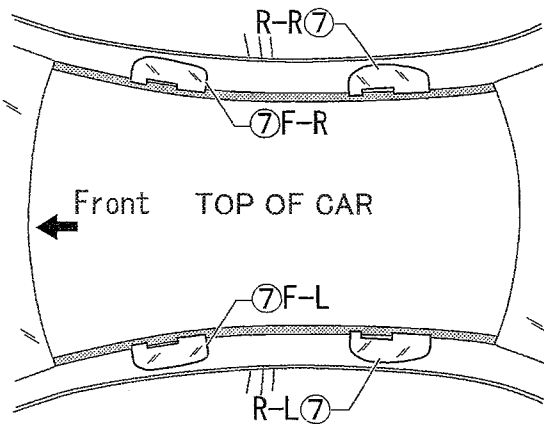
Use a soft cloth to clean the areas shown with mild detergent and water. Dry the vehicle before proceeding to the next step.



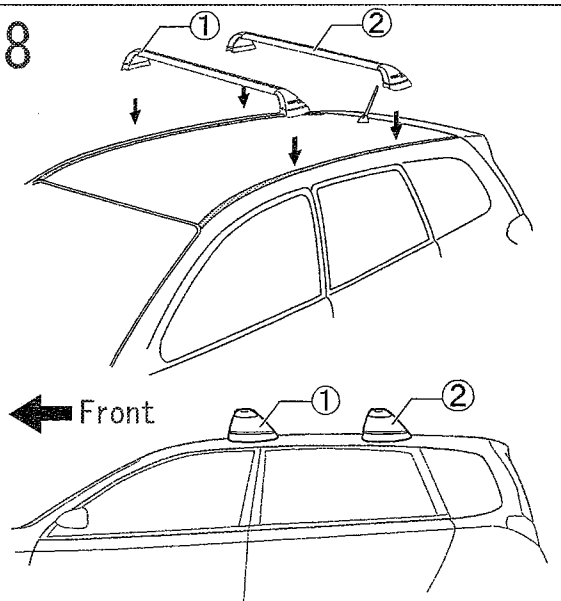
6



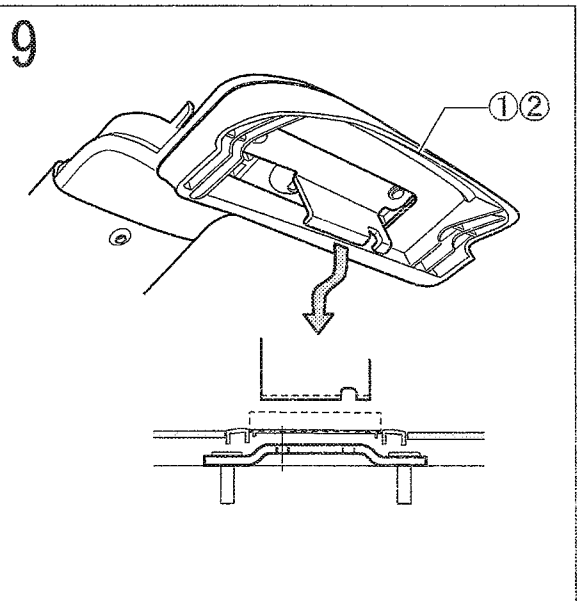
7



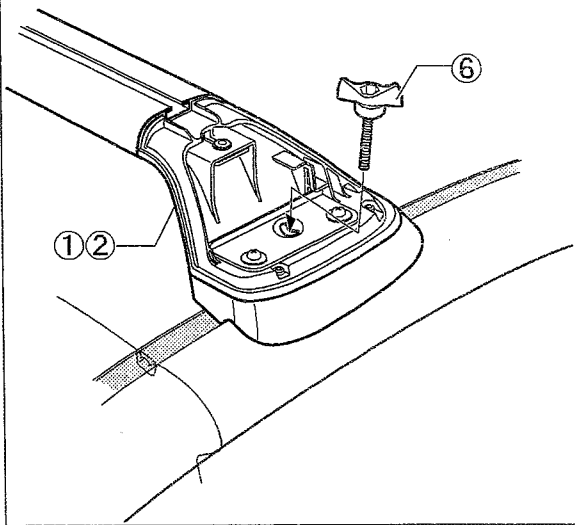
8



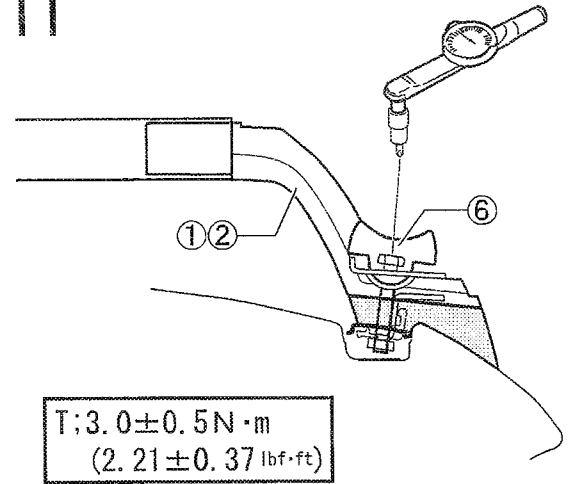
9



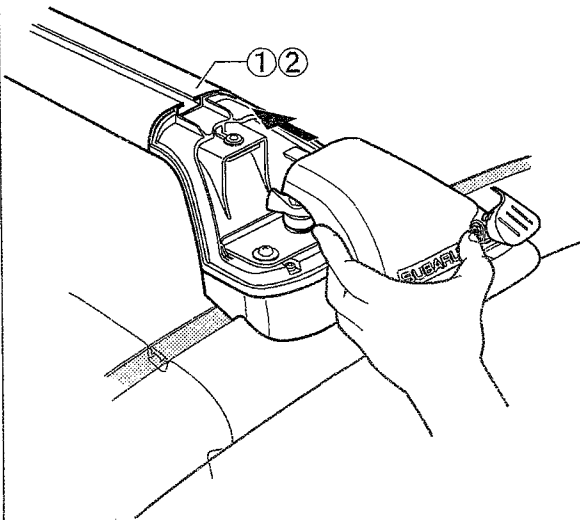
10



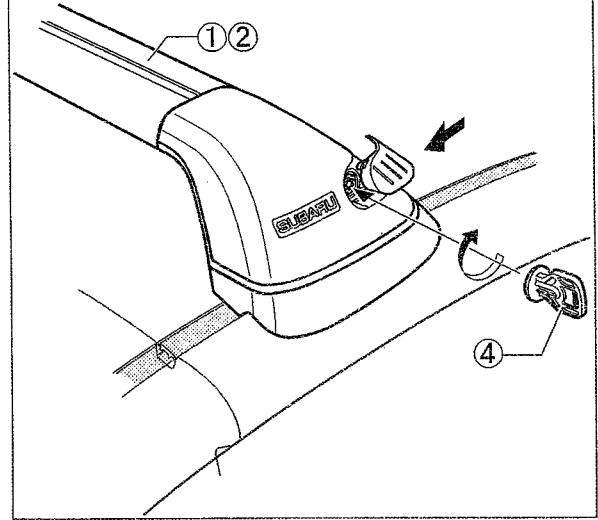
11



12

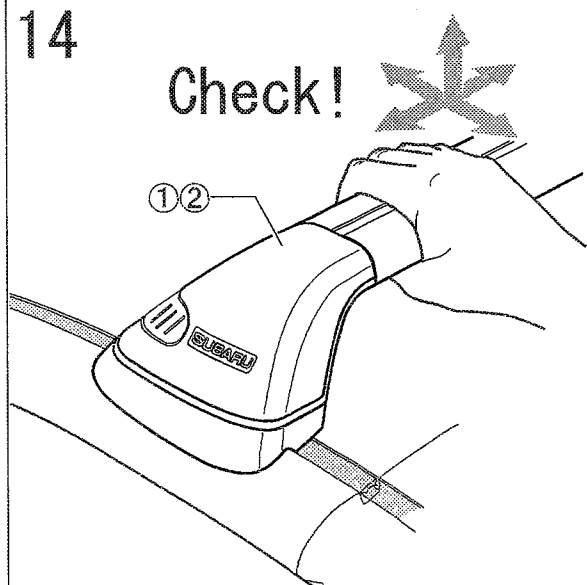


13



14

Check!



⚠ Please check, when you drive each time.

Be sure to follow the national rules and legislations in force regarding method of application of load carriers and accessories.

CAUTION NOTES

Retain this instruction sheet for your future reference

Maximum Permissible load is 176lbs (80 kg), evenly distributed. Do not exceed this load limit.

When driving with fully loaded crossbars, characteristics of the vehicle may change.

Adjust your speed accordingly.

Make sure to fasten the load so that it cannot come loose or cause damage.

Make sure that the center of gravity of the load is kept as low as possible.

If a small, heavy load is to be carried, place it on one side of the crossbars and not in the middle.

Do not allow the load to extend past the the body of the vehicle.

Attachment hardware may loosen over time. Check and tighten, if necessary, before each use.

To protect the paint under the crossbar end supports, periodically remove the crossbar kit and clean under the end supports.

Cleaning Instructions:

Use a soft cloth with water and mild detergent for cleaning the crossbar kit.

Remove crossbars before entering an automatic car wash.

NOTICE:

Increased wind noise may be experienced when crossbars are installed. If the noise level is objectionable, remove crossbars and install only when utilized to transport objects.

